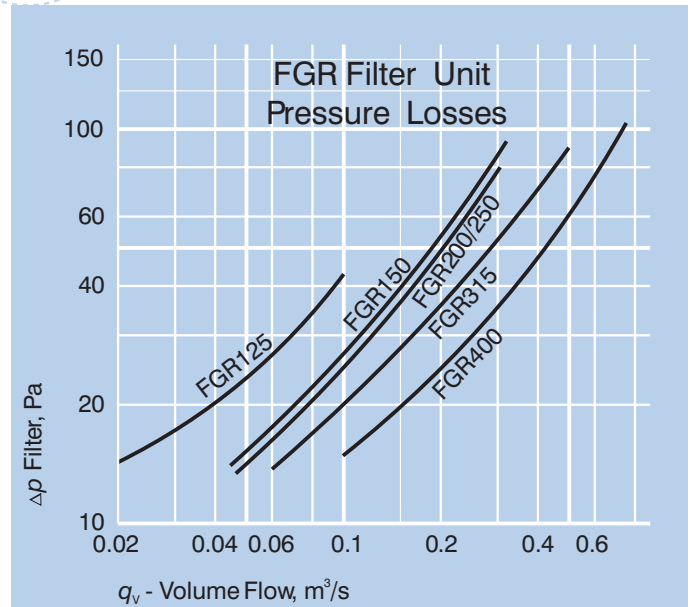


FGR - FILTER UNIT

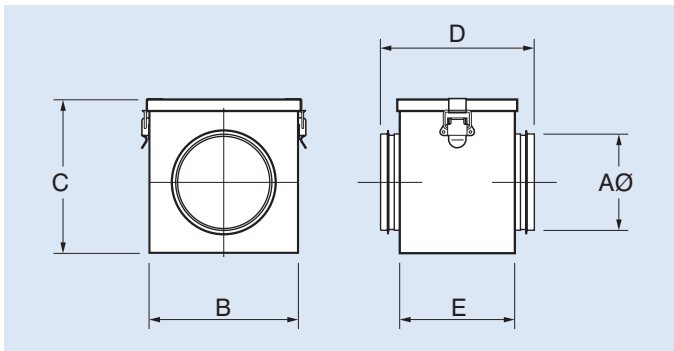


FEATURES

The FGR filter units are fitted with a throw-away panel dust filter. The cassette is made of galvanised steel with rubber-sealed circular connections and the cover has quick-release latches. Table below indicates which filter fits on specific fan models. Average Arrestance - 85%



DIMENSIONS



| Filter Unit Part No. | Dimensions, mm | | | | |
|-------------------------|----------------|-----|-----|-----|-----|
| | AØ | B | C | D | E |
| FGR125 | 125 | 200 | 200 | 220 | 122 |
| FGR150 | 150 | 200 | 200 | 220 | 122 |
| FGR200 | 200 | 245 | 245 | 230 | 122 |
| FGR250 | 250 | 295 | 295 | 240 | 122 |
| FGR315 | 315 | 345 | 345 | 240 | 122 |
| FGR400 | 400 | 448 | 448 | 240 | 150 |

WALLRODSPK - WALL RODS



FEATURES

Used to attach the Stylvent and HCM fans to the wall. Wall thickness can vary from a minimum of 25mm to a maximum of 300mm. Order in packs of 4.

Part No: WALLRODSPK